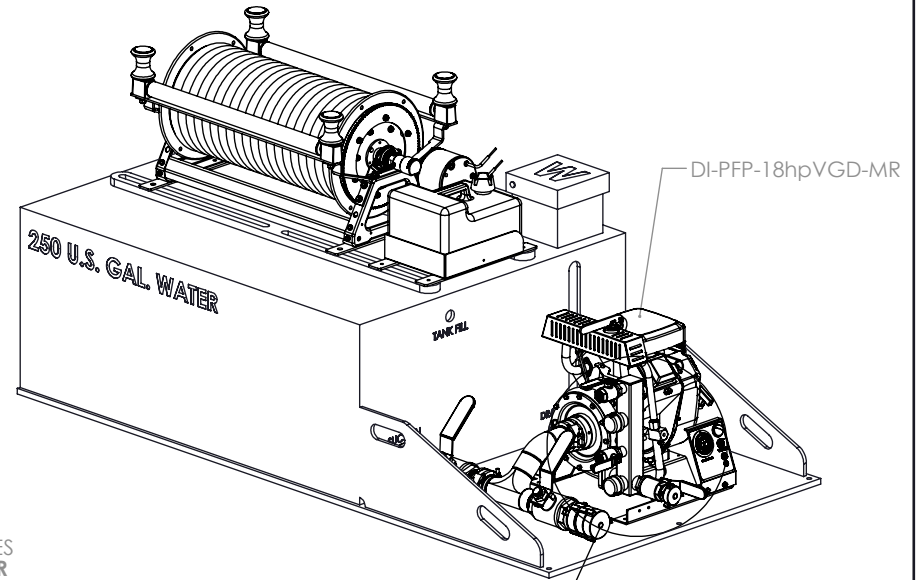
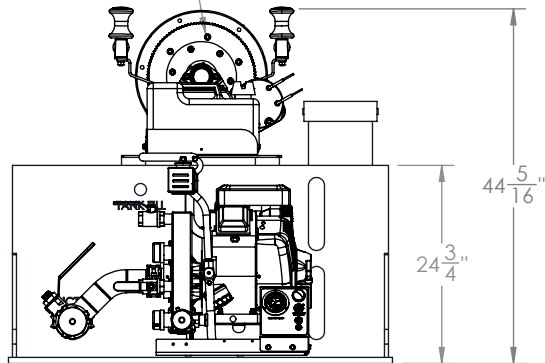


STANDARD SUCTION  
W/ (2) 2-1/2" INDUSTRIAL VALVES  
W/ 2-1/2" NH-FEMALE ADAPTOR  
W/ PLUG & CHAIN



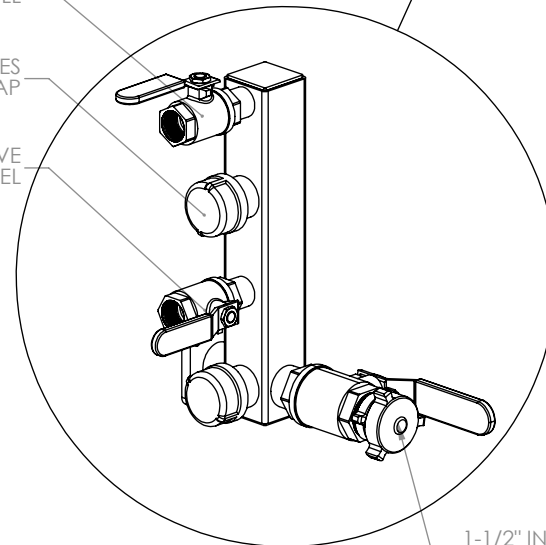
ELECTRIC LOW PROFILE HOSE REEL  
W/ 3 WAY ROLLERS  
1" x 100' FABRIC BOOSTER HOSE  
MODEL: #EF4038-17-18-RT



1" INDUSTRIAL VALVE  
TANK FILL

(2) 1-1/2" NPT-M NIPPLES  
W/ CAP

1" INDUSTRIAL VALVE  
HOSE REEL



1-1/2" INDUSTRIAL VALVE  
W/ CAP & CHAIN  
SERVICE LINE



**CREATED**  
BY: S.F.S.  
DATE: 15-02-17

**VERIFIED**  
BY: A.B.  
DATE: 15-02-17

**TITLE :** DEMO UNIT

**250 U.S. GAL. WATER** - U.S. GAL. F.C.

**No:** DP-3175-0701

**DEFENDER** III

**APPROXIMATE WET WEIGHT** - Lbs

**WARNING**

THIS DOCUMENT REMAINS THE PROPERTY OF C.E.T. FIRE PUMPS MFG.

ALL REPRODUCTION WITHOUT WRITTEN AGREEMENT FROM C.E.T. FIRE PUMPS MFG IS TOTALLY PROHIBITED.

**APPROVED BY**

\_\_\_\_\_

**APPROVED DATE**

\_\_\_\_\_